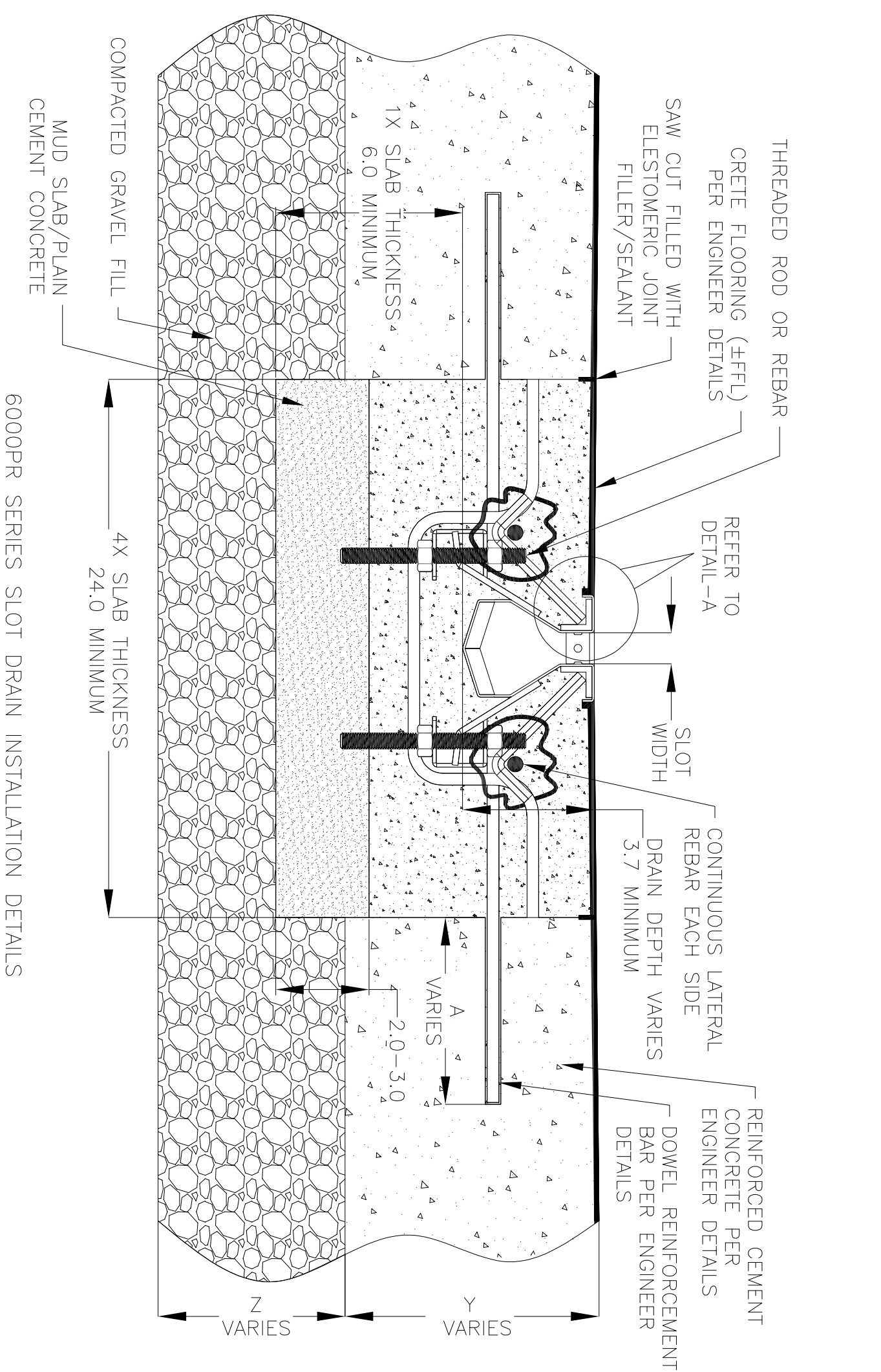
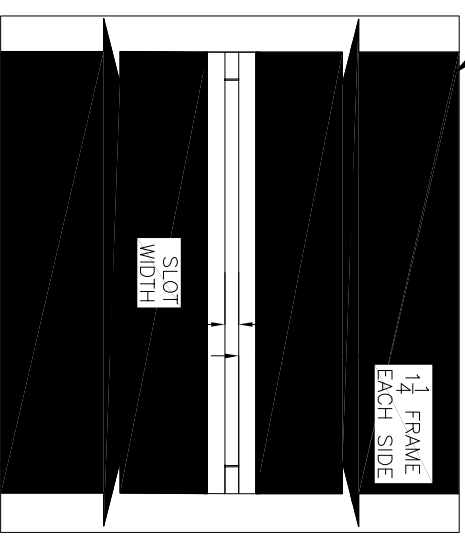


NOTES: UNLESS OTHERWISE SPECIFIED

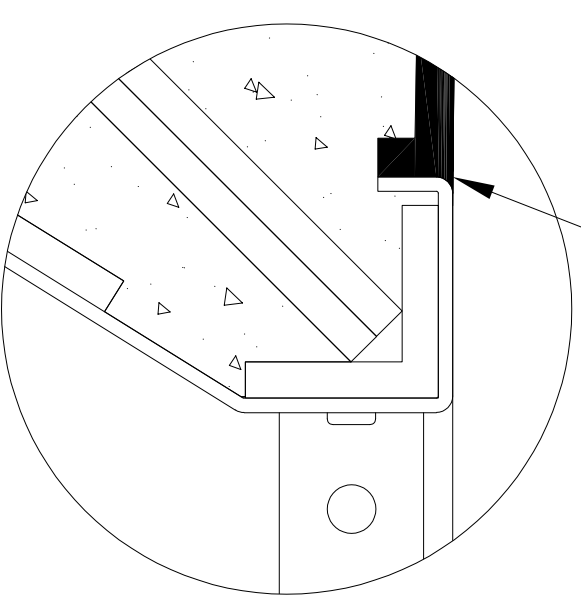
1. ALL DIMENSIONS ARE IN INCHES.
2. DRAIN BODY MATERIAL: 14GA STAINLESS STEEL T304/T316
3. SPECIFYING ENGINEER IS RESPONSIBLE FOR CONCRETE ENGAGEMENT AND REINFORCING BASED UPON APPLICATION AND LOCAL CODES.
4. REFER TO <https://info.slotdrainsystems.com/installresources> FOR INSTALLATION INSTRUCTIONS.



CRETE FLOORING (FFFL) PER ENGINEER DETAILS



PLAN VIEW



DETAIL-A

REVISIONS			
REV	DESCRIPTION	DATE	BY
0	INITIAL RELEASE - RO	12/2/2020	DK
1	UPDATED THE REBAR DETAILS	7/14/2021	DK
2	UPDATED WITH GLOBAL DRAIN TEMPLATE	3/19/2024	DK



DRAWING TITLE  
CRETE FLOOR-RETROFIT INSTALLATION

DRAIN SERIES	6000PR SERIES SLOT DRAIN	REV.	2
--------------	--------------------------	------	---

DWG NO.	IN-SD6000PR-100-R2	SIZE	B	SCALE	NTS	SHEET	1 OF 1
---------	--------------------	------	---	-------	-----	-------	--------

ALL DRAWINGS ARE THE EXCLUSIVE PROPERTY OF SLOT DRAIN SYSTEMS. ANY REPRODUCTION IN PART OR IN WHOLE IS PROHIBITED WITHOUT PROPER CONSENT.

6000PR SERIES SLOT DRAIN INSTALLATION DETAILS